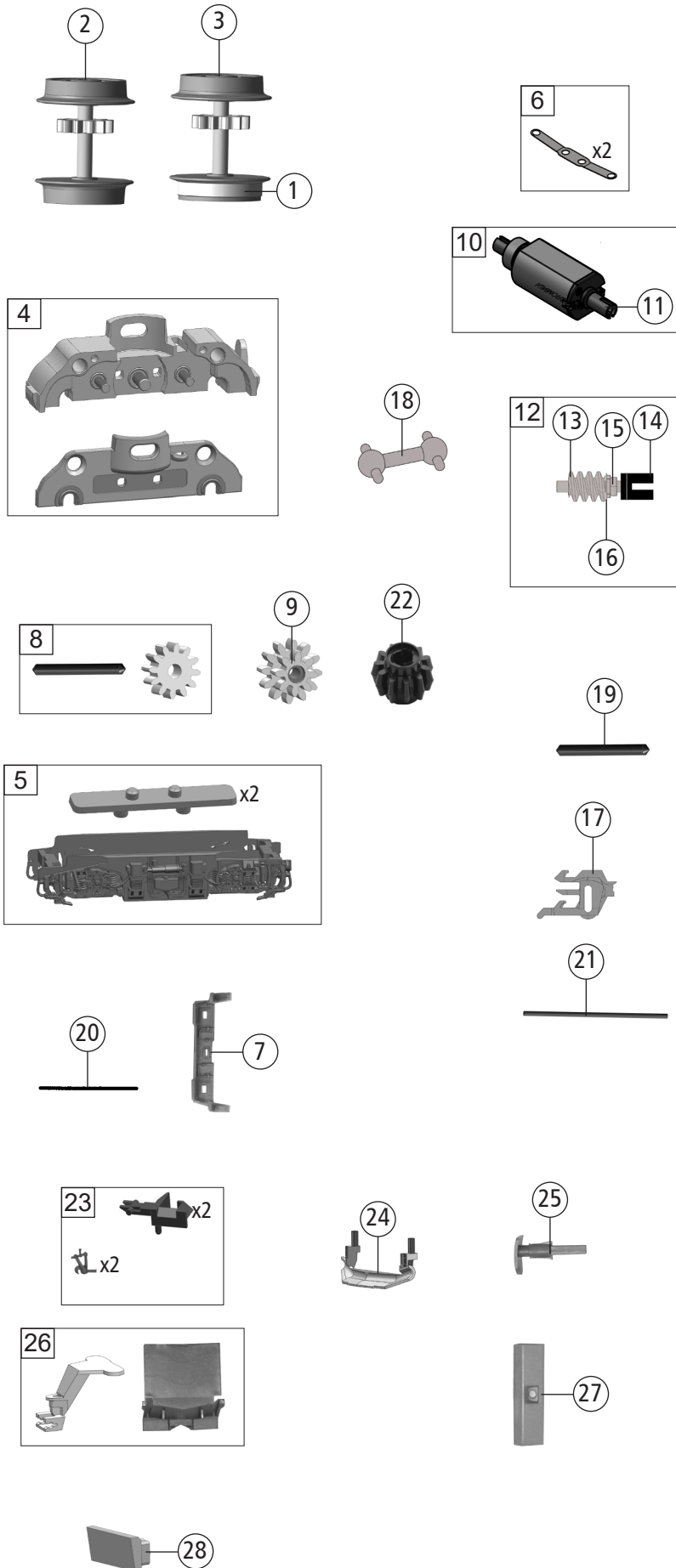


| Pos. Nr. Pos.no. | Beschreibung Description | Art.-Nr. Art.no. | Preisgruppe Price bracket |
|---------------------|--|---------------------|------------------------------|
| 732241 | SNCF Sybic | = | N |
| 732311 | | = | N |
| 1 | Gehäuse kpl. Betr. Nr. 26227 Body ass. compl. Loco. no. 26227 | 10732241 | 35 |
| 2 | Stirnfenster Front window | 15732241 | 6 |
| 3 | Lichtnägel Light pins | 13732240 | 10 |
| 4 | Dachhütze Roof scoop | 73224110 | 5 |
| 5 | TS - Dachkiste+Leitung Part set - roof box+wiring | 73224120 | 4 |
| 6 | SK-Schraube M1,6x4 mm SK-Screw | 115161 | 3 |
| 7 | Führerstand Driver's cab | 12732241 | 6 |
| 8 | Hauptschalter Main switch | 73224042 | 4 |
| 9 | TS - Isolatoren Part set - Isolators | 19732241 | 6 |
| 10 | Antenne Antenna | 73224122 | 3 |
| 11 | TS-Stromabnehmerantr.,Antenne schräg Part set-Pantograph drive,inclined ant. | 19732243 | 5 |
| 12 | Dachhütze Roof scoop | 73224011 | 10 |
| 13 | Stromabnehmer AL-2 Pantograph | 677322412 | 19 |
| 14 | Stromabnehmer AM 18 Pantograph | 677322411 | 19 |
| 15 | Platine kpl. PCB complete | 65732240 | 22 |
| 16 | Brückenstecker NEXT18 Jumper | 66710800 | 18 |
| 17 | Grundrahmen Base frame | 40732241 | 13 |
| 18 | TS-Schneckendeckel, Motordistanzplatte, Part set-wormgear cover,motor spacer, | 73213525 | 5 |
| 19 | Unterflurwanne+Lautsprecherbox Underfloor tub+Loudspeaker box | 73224185 | 5 |
| 20 | FK-Schraube M1,2x2,6 mm FK-Screw | 70900005 | 2 |
| Sound | | | |
| 21 | Sounddecoder Sound decoder | 68732310 | 40 |
| 22 | Lautsprecher FOX Loudspeaker | 68701100 | 16 |

Änderungen in Konstruktion und Ausführung vorbehalten
We reserve the right to change the construction and specification



| Pos. Nr. Pos.no. | Beschreibung Description | Art.-Nr. Art.no. | Preisgruppe Price bracket |
|---------------------|---|---------------------|------------------------------|
| 732241 | SNCF Sybic | = | N |
| 732311 | | = | N |
| 1 | Hafring D=6,95 B=1,2 N-Spur Traction tyre | 00547002 | 1 |
| 2 | Radsatz m. Zahnrad o. Hafring Wheelset w.gearwh. w/o traction tyre | 53732100 | 11 |
| 3 | Radsatz m. Zahnrad m. Hafring Wheelset w.gearwh. w. traction tyre | 54732100 | 12 |
| 4 | Getriebesatz NS / RFO 2tlg. Gear set | 46732241 | 12 |
| 5 | DG-Blende Bogie frame | 41732241 | 7 |
| 6 | Radkontakte Wheel contacts | 61732100 | 9 |
| 7 | Stirntritt Front step | 73224161 | 5 |
| 8 | Zahnrad Z=12+Achse Gear wheel+axle | 00527171 | 6 |
| 9 | Zahnrad Z=8/12 Gear wheel | 56732101 | 5 |
| 10 | Motor KM m. Schwungm.+Kardans. Motor w. flywheel+cardan reception | 50732100 | 24 |
| 11 | Kardanschale KM-Motor Cardan reception KM f. motor | 146535 | 3 |
| 12 | Schneckensatz m. Kardansch. Worm gear set w. cardan reception | 144469 | 14 |
| 13 | Schnecke D=4 L=5 mm Worm gear | 00567601 | 7 |
| 14 | Kardanschale f. Schneckens. Cardan reception f. wormgear set | 145585 | 3 |
| 15 | Achslager Axle bearing | 145530 | 6 |
| 16 | Beilagscheibe Washer | 145804 | 4 |
| 17 | TT Profi Steckkupplung TT Pro plug-in coupling | 130090 | 6 |
| 18 | Kardanwelle Cardan shaft | 73210070 | 4 |
| 19 | Achse L=14,8 D=1,5 Axle | 00527010 | 1 |
| 20 | Richtfeder L=15 mm 0,12 Straightening spring | 00767008 | 1 |
| 21 | Kupplungshaltestange Coupling support rod | 38734501 | 9 |
| 22 | Zahnrad Z=11 Gear wheel | 56716100 | 3 |
| 23 | Zurüstbeutel Bag with accesories | 19732240 | 12 |
| 24 | Schneepflug Snow plow | 73224190 | 4 |
| 25 | Puffer Buffer | 75732241 | 3 |
| 26 | Deichsel+Abdeckung Drawbar+cover | 38732241 | 6 |
| 27 | Frontschürze m. Spitzenlicht Front skirt w. top light | 73224131 | 14 |
| 28 | Frontblende Sybic Front bogie frame | 73224132 | 5 |